

TCC

TCC-100

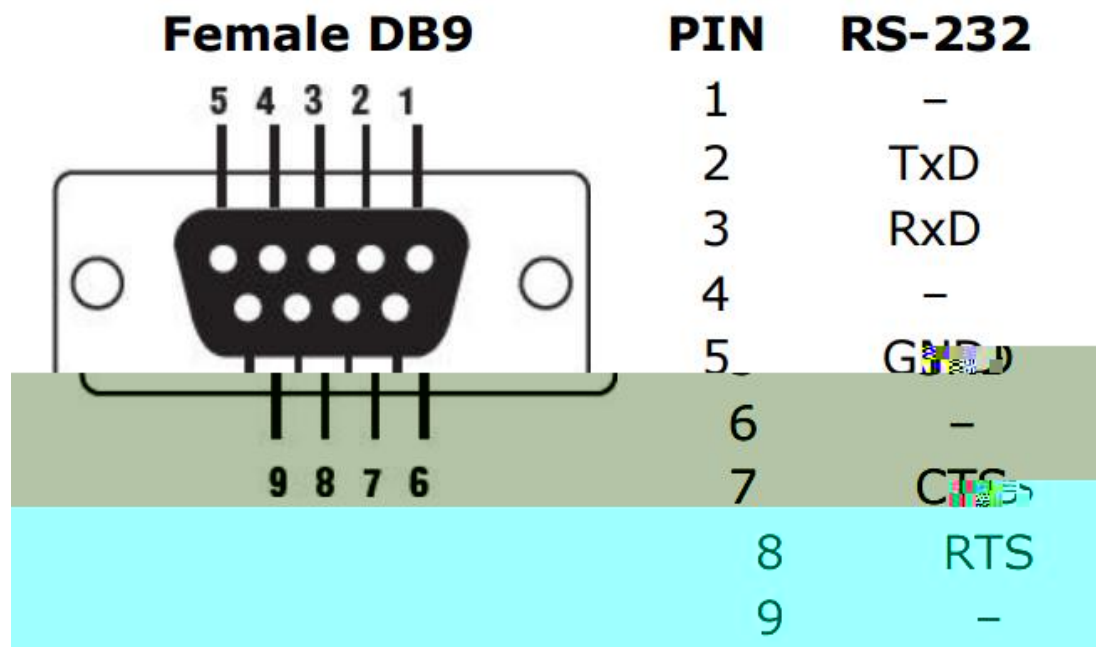
1 TCF-142 RS-232 RS-422/485



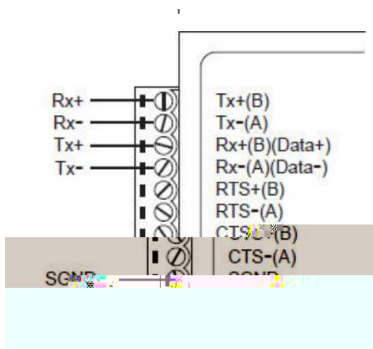
-
-

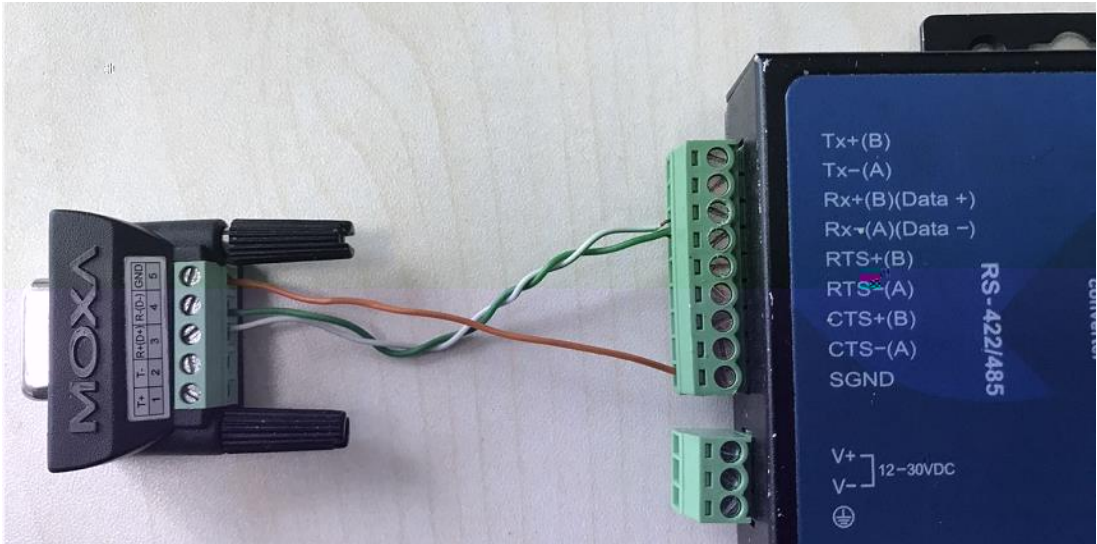
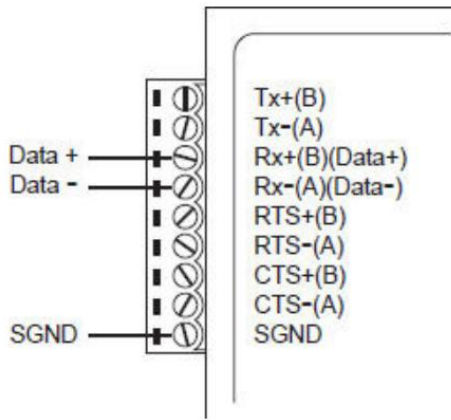
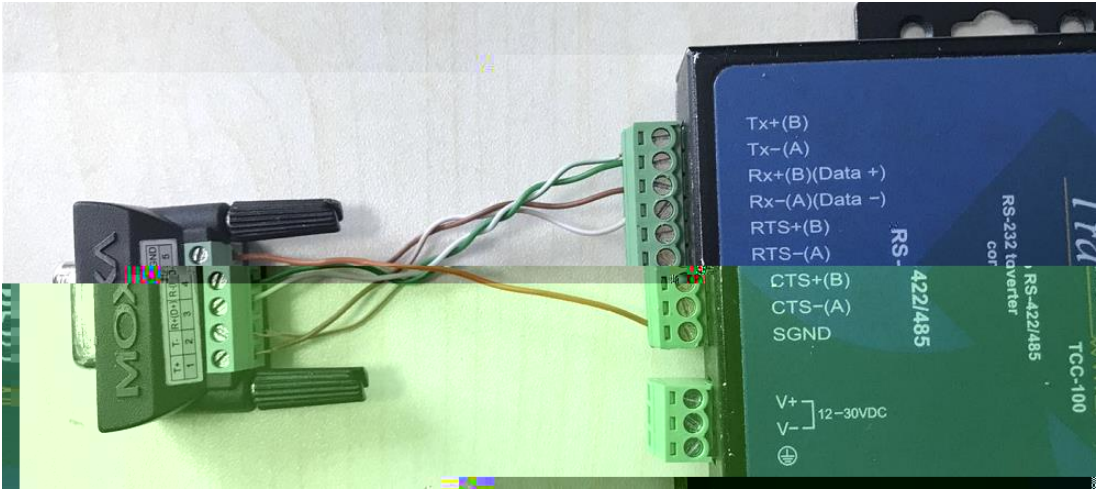


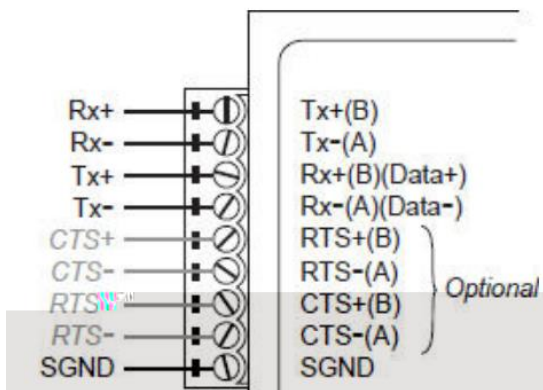
2 RS-232 DB9 Female



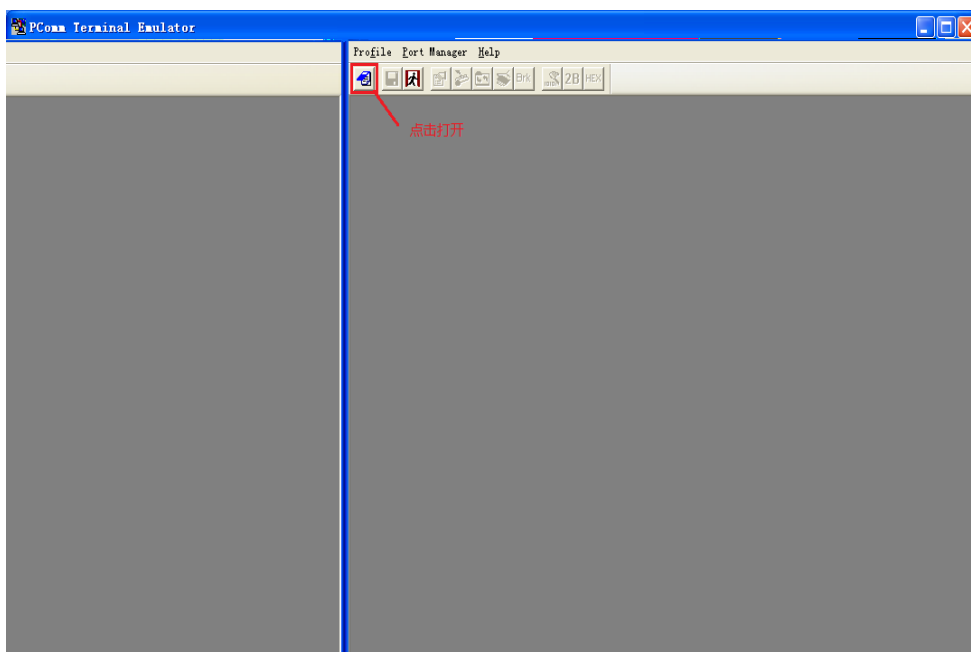
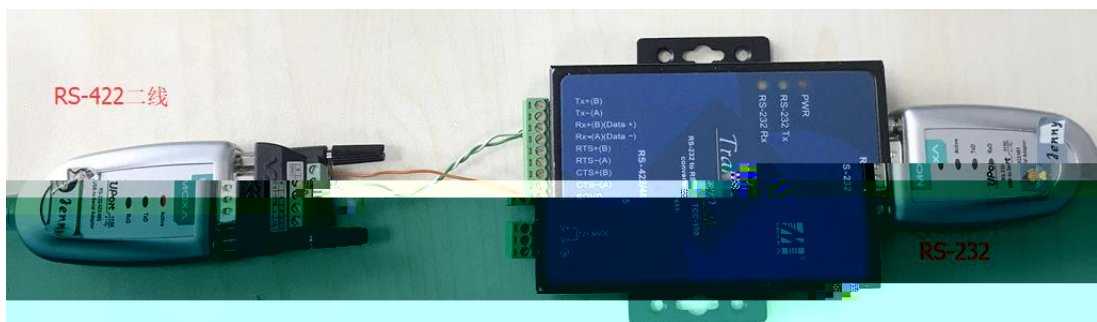
3 RS-422/485





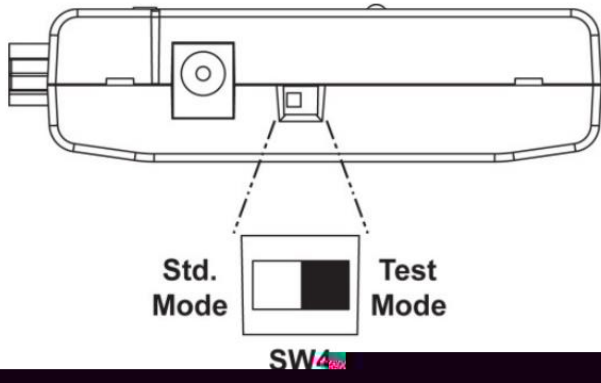


4



| | | DIP Switch Settings | | | |
|----|--|-------------------------------|-----|-----|-----|
| V3 | | RS-422 with Terminator | SW1 | SW2 | SW3 |
| N | | | OFF | OFF | OFF |
| V3 | | RS-422 | SW1 | SW2 | SW3 |
| FF | | | OFF | OFF | OFF |
| V3 | | 4-wire RS-485 with Terminator | SW1 | SW2 | SW3 |
| N | | | ON | OFF | OFF |
| V3 | | 4-wire RS-485 | SW1 | SW2 | SW3 |
| FF | | | ON | OFF | OFF |
| V3 | | 2-wire RS-485 with Terminator | SW1 | SW2 | SW3 |
| N | | | ON | ON | OFF |
| V3 | | 2-wire RS-485 | SW1 | SW2 | SW3 |
| FF | | | ON | ON | OFF |





-
-